

## Body Worn 380-400MHz Tetra Antenna



### Electrical Data

Frequency Range (MHz)	380 - 400
Operational Bands	S1
Gain: Isotropic	2dBi
Compared with ¼ wave	0dB
Polarisation	Vertical
Configuration	Flexible ½ Wave Dipole Element

### Mechanical Data

Operating Temp (°C)	-40° / +80°C	
Dimensions (mm)	Length	23.8
	Width	27.4
	Depth	6
Material	Grey Engineering Plastic	
Colour	Grey	

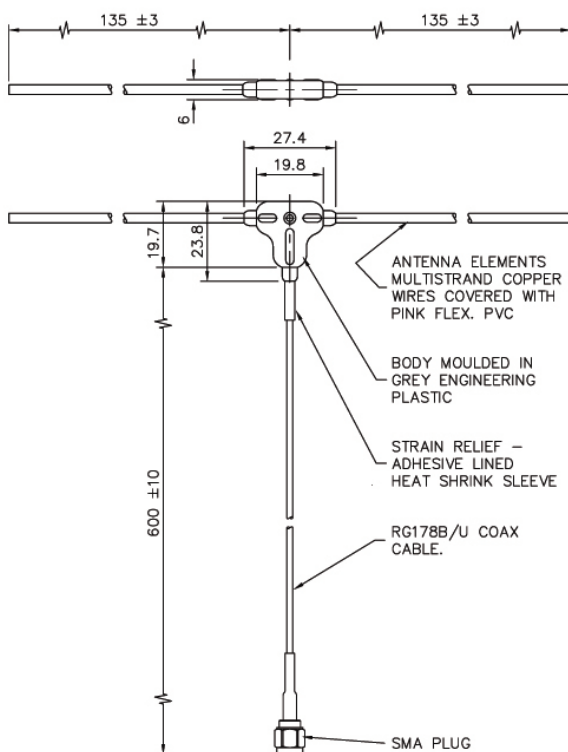
### Antenna Element Data

Antenna Element Length (mm)	135 × 2
Type	Multistrand Copper Wires
Colour	Pink

### Cable Type

Type	RG178B/U Coaxial Cable
Length (mm)	600

Technical Drawing



VSWR v Freq (MHz)

