



# Product Data Sheet

TCLIP2-C3G-05SSMB

# GPRS & 3G UMTS

## Clip & Desk Antenna

### TCLIP2-C3G



Universal clip for laptops

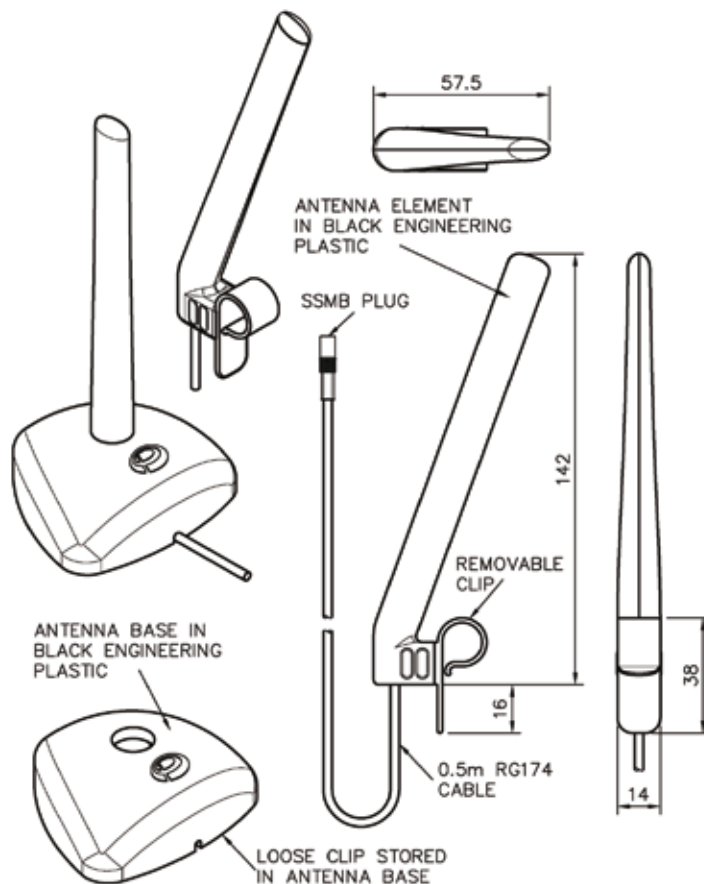
Desk mount option

Various connectors for different data cards, express cards & USB devices

The deceptively stylish form of the TCLIP2-C3G hides a powerful and effective antenna designed to significantly improve signal strength and transfer speeds for data connections. Simply connect the TCLIP2-C3G to your data card or USB modem and experience the difference immediately.

Whether in the office or out of it the TCLIP2-C3G adapts to every situation: featuring a desk stand and a screen clip combined in one innovative package. With the TCLIP2-C3G you can connect to the world, wherever you are.

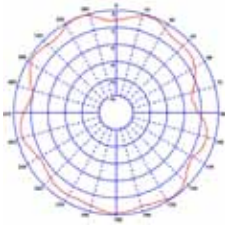
#### Technical Drawing



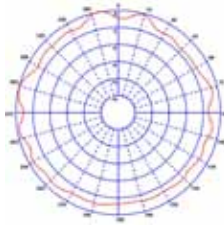
# GPRS & 3G UMTS

## Clip & Desk Antenna

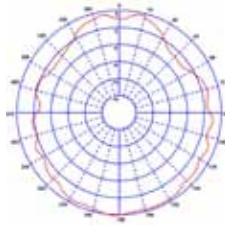
H-Plane (900MHz)



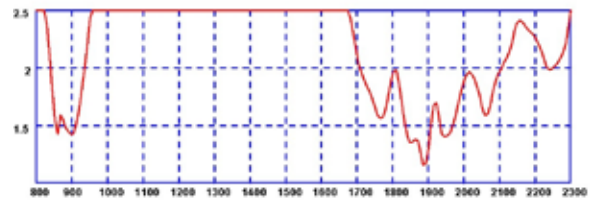
H-Plane (1800MHz)



H-Plane (2000MHz)



Typical VSWR



<b>Part No.</b>		TCLIP2-C3G-05SSMB
<b>Electrical Data</b>		
Frequency Range (MHz)	805-894, 890-960, 1710-1880, 1900-2170	
Operational Band	GSM850 / CDMA850, GSM900, GSM1800, PCS1900, 3G UMTS	
Gain: Isotropic	2dBi	
Compared to ¼ wave	0dB	
Polarisation	Vertical	
Pattern	Omni-directional	
Impedance	50Ω	
Max Input Power (W)	10	
<b>Mechanical Data</b>		
Dimensions (mm)	Length	142
	Width	14
Material	Engineering plastic	
Operating Temp (°C)	-40° / +80°C	
Colour	Black	
<b>Mounting Data</b>		
Type	Computer screen clip or desk stand	
Material	Engineering plastic	
Colour	Black	
<b>Cable Data</b>		
Type	RG174	
Thickness (mm)	2.5	
Length (m)	0.5	
Termination	SSMB plug	

**Panorama Antennas Ltd**  
Frogmore, London, SW18 1HF, United Kingdom

T: +44 (0)20 8877 4444  
F: +44 (0)20 8877 4477

E: [sales@panorama-antennas.com](mailto:sales@panorama-antennas.com)  
[www.panorama-antennas.com](http://www.panorama-antennas.com)

**PANORAMA  ANTENNAS**