



Panel Mount GPS Combination Antenna

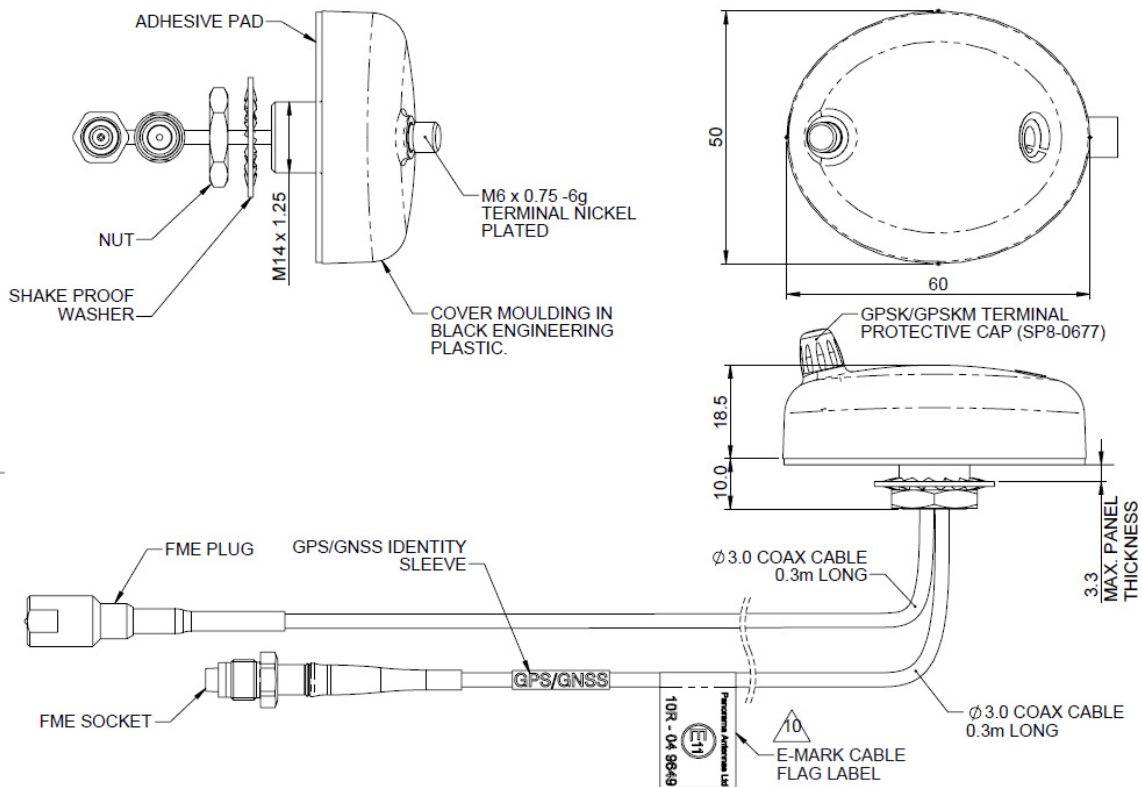
- Excellent performance
- Active GPS/GNSS element
- Single hole fixing

The GPSK antenna range is a dual function, high performance antenna with an active GPS/ GNSS element which supports GPS L1, GLONASS G1, BeiDou and Galileo E1 services.

The base can be fitted with a range of VHF or UHF whips.

With the ability to mount on a roof up to 6mm (0.24") thick using only a single 15mm (0.6") hole the twin functionality of the Panorama GPSK range makes the antenna a popular choice for police, buses, taxi's and other public service and utility vehicles.

Technical Drawing

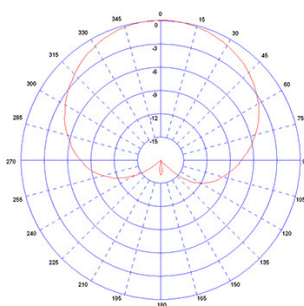


GPS Combination Antenna

GPSK

| | | |
|------------------------|------------------------------|--------------|
| Part No. | | GPSK-FF |
| Electrical Data | | |
| Frequency Range | 1559-1612 | |
| Peak Gain: LNA | 30 dB | |
| Typical VSWR* | <2.5:1 | |
| Polarisation | Right Hand Circular | |
| Operating Voltage | 3 - 5V DC (fed via coax) | |
| Typical Current | <20mA | |
| Mechanical Data | | |
| Dimensions (mm) | Whip Length | Variable |
| | Base Height | 18.5 (0.72") |
| | Base Length | 60 (2.36") |
| | Base Width | 50 (1.9") |
| Operating Temp (°C) | -40° / +80°C (-40° / +176°F) | |
| Material | ABS | |
| Colour | Black | |
| Ingress Protection | IP65 | |
| Mounting Data | | |
| Fixing | Panel Mount | |
| Hole Size | 15 (0.6") | |
| Cable Data | | |
| GPS Cable | Type | RG174 |
| | Diameter (mm) | 2.8 (0.1") |
| | Length (m) | 0.3 (1') |
| | Termination | FME Socket |
| Comms Cable | Type | RG174 |
| | Diameter (mm) | 2.8 (0.1") |
| | Length (m) | 0.3 (1') |
| | Termination | FME Plug |

GPS 1575MHz E Plane



GPS 1602MHz E Plane

