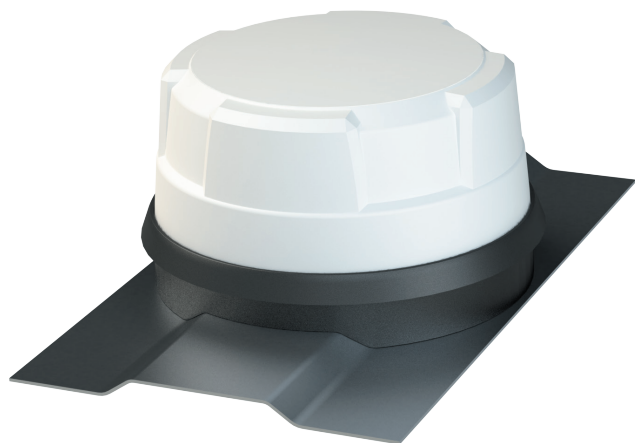


# Adaptor Pad for L[G]MM Antenna Series

LGMM-EXT-R-SLT



## LGMM-EXT-R-SLT

- Mounting adaptor kit for ribbed or curved/uneven mounting surfaces

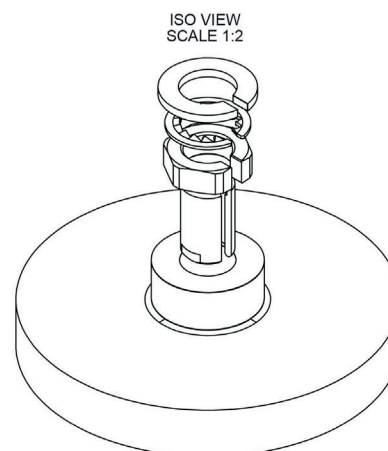
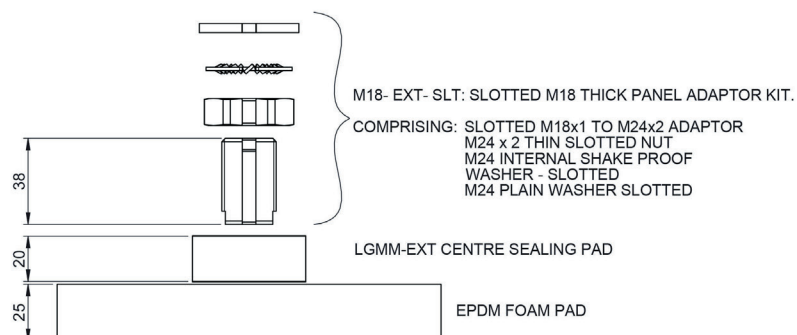
For use with the LGMM/LPMM low profile MIMO antenna series, the LGMM-EXT-R-SLT provides a simple mounting solution for ribbed roof panels commonly found on SUV's and LCV's, but it is also suitable for curved/uneven roof mounting situations. Comprising of a mounting bush extender, nut, washer, semi closed cell outer EPDM foam pad and closed cell silicone inner foam pad.

Once the antenna and pads are fitted and the correct level of compression is achieved, the pad will seal the mounting hole and mould to the contours of the mounting surface presenting a pleasant aesthetic finish.

The LGMM-EXT-R-SLT includes a slotted mounting bush, nut and washers allowing passage of larger connectors such as FAKRA type terminations.

### Technical Drawing

LGMM-EXT-R-SLT Shown



Part No.

LGMM-EXT-R-SLT

### Mechanical Data

Compression required to seal (mm)	3mm (0.12") of inner foam pad or until hard stop
Max panel variation/rib height (mm)	Max 20mm (0.8") mounting depth inclusive of panel and rib height, panel material must not exceed 10mm (0.4")
Mounting hole size (mm)	25 (1.0")
Material (Inner sealing pad)	Closed Cell Silicone Foam
Colour	White
Material (outer pad)	Semi Closed Cell EPDM Foam
Colour	black