

Magnetic Mount Solution for Evaluation and Drive-Testing

SAB-224



SAB-224

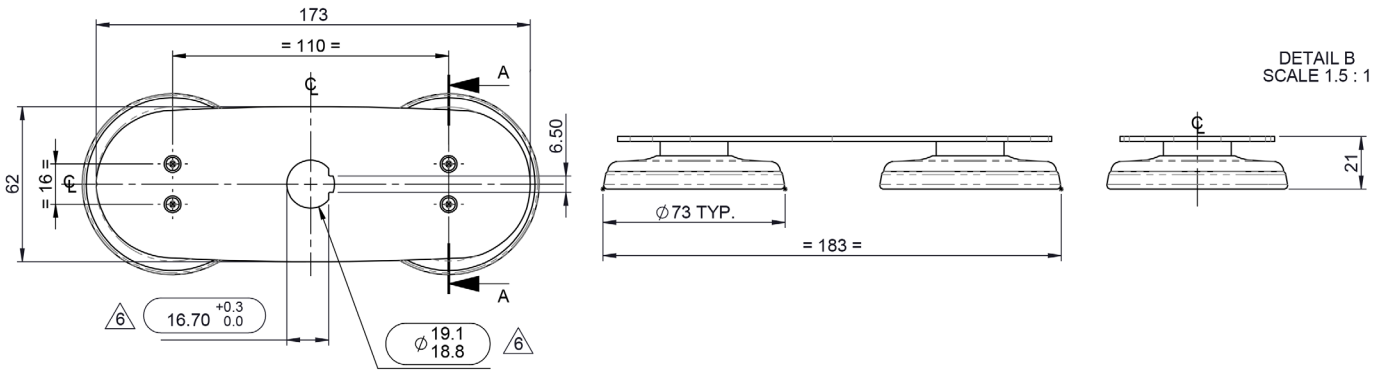
For use with the GPSD/SHK[G]/FINB Sharkee antennas, the SAB-224 provides a magnetic mount solution for antenna evaluation and drive-testing.

Featuring a powder coated stainless steel plate, fitted with two magnets, this is a simple solution that allows the antenna to be installed on a vehicle without drilling any holes.

NOTE – this solution does not provide a suitable ground-plane if using a VHF or UHF whip as part of the antenna configuration.

Technical Drawing

SAB-224 Shown



Product Data

Part No.

SAB-224

Electrical Data

Length including magnets (mm)	183 mm (9.69")
Width including magnets (mm)	73mm (2.83")
Clearance under mounting plate (mm)	19mm (0.75")
Fixing	Magnetic
Material (mounting plate)	Stainless Steel
Colour	Black (RAL9005)