



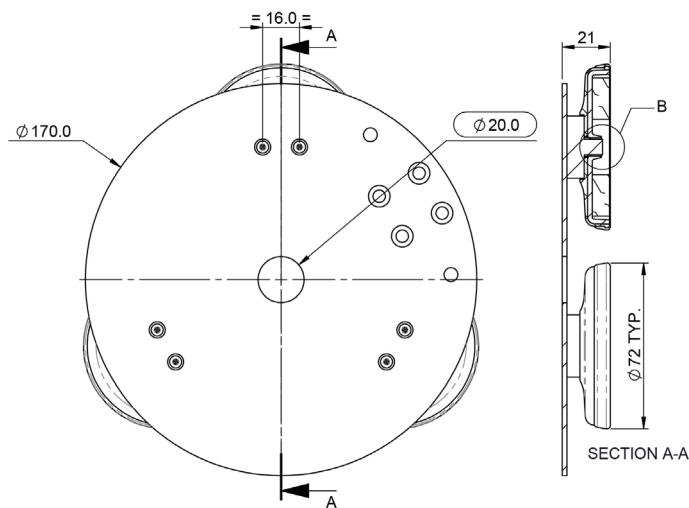
## SAB-225

- Strong magnetic mount adapter plate
- For temporary mounting

For use with the LPMM/LGMM range of low profile MiMo antennas, the SAB-225 provides a magnetic mount solution for antenna trials and drive-testing. Using three heavy duty magnets fitted to a stainless steel metal plate, this is a very easy, simple and quick solution that can be fitted anywhere on the vehicle to evaluate the antennas performance without drilling any holes.

### Technical Drawing

SAB-225



### Product Data

Part No.

SAB-225

#### Mechanical Data

Clearance (mm)	21mm (0.82")
Max panel thickness/ridge height (mm)	6.5mm (0.25")
Diameter (mm)	170mm (6.7")
Fixing	M3 x 8 long, pozi drive stainless steel screws
Material	Stainless Steel
Colour	Natural Finish